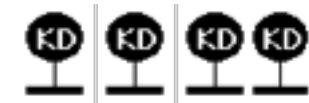
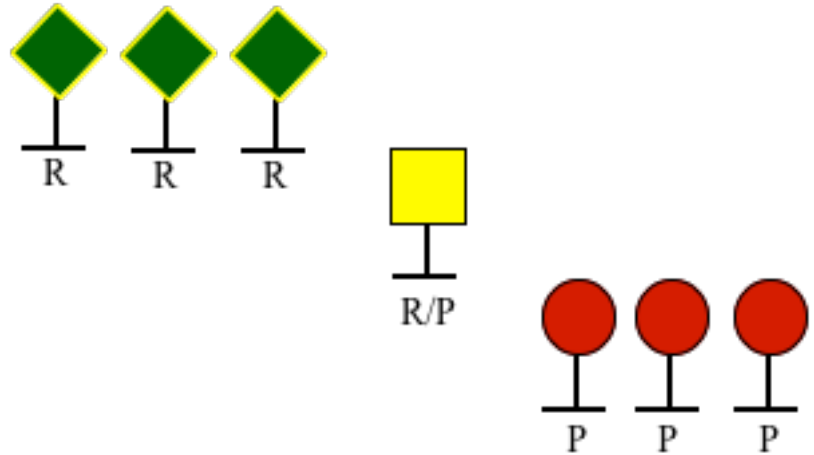
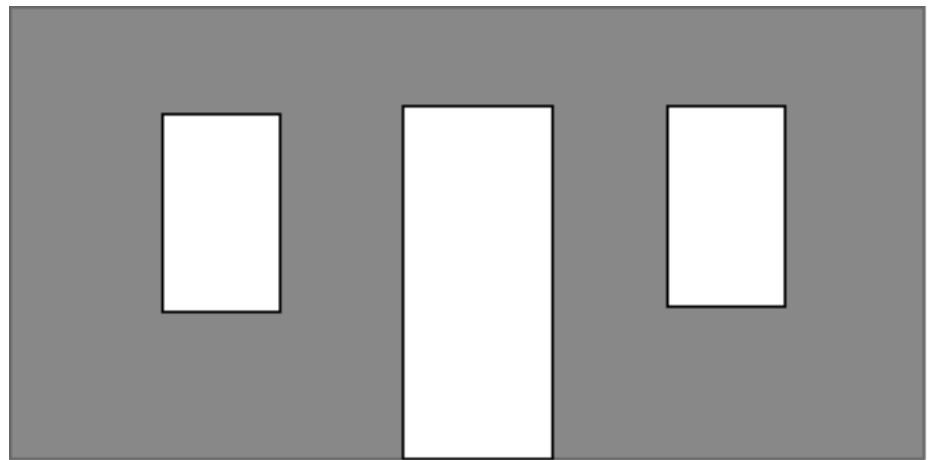


Stage 11: Little Big Man

- Pistol - 5 rounds in each, hammer down on empty, holstered.
- Rifle - 10 rounds staged on ledge at B.
- Shotgun - 4+ rounds, staged on table at A.



A



B

C

Shooter begins at A or C, hands at low surrender.

Shooter indicates ready by saying, "It's a good day to die."

At Signal: From A, engage the shotgun knockdowns in any order. Make shotgun safe on table at A. From C, with pistols, engage the 3 circles and square in a Progressive Sweep, 1-2-2-3-3-3-4-4-4-4, beginning at either end. From B, with rifle, engage the 3 diamonds and square in a Progressive Sweep, beginning at either end. Make rifle safe on ledge at B.